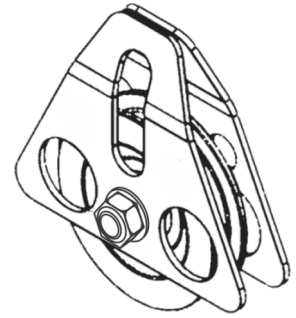
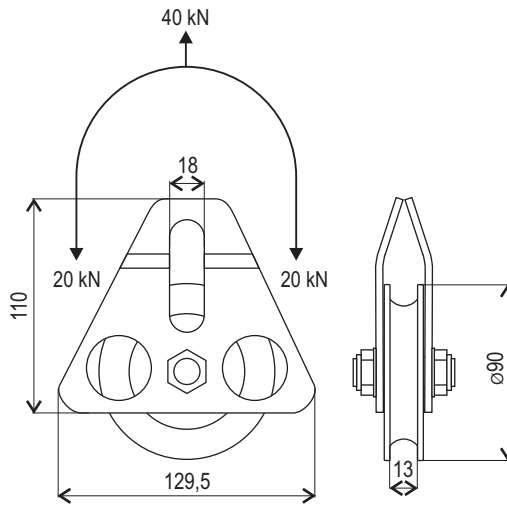




Before use of the device read and understand recommendations of the instruction manual.

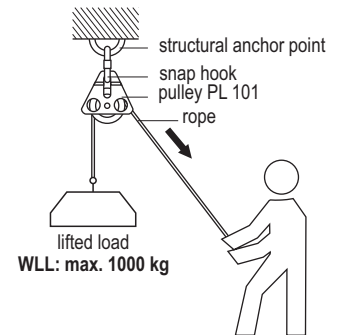
TECHNICAL DATA

Working Load Limit (WLL) when lifting a load: 1000 kg
Working Load Limit (WLL) as an element of a rescue lifting system: 200 kg
Rope diameter: from 6 mm to 12 mm
Static strength: 40 kN



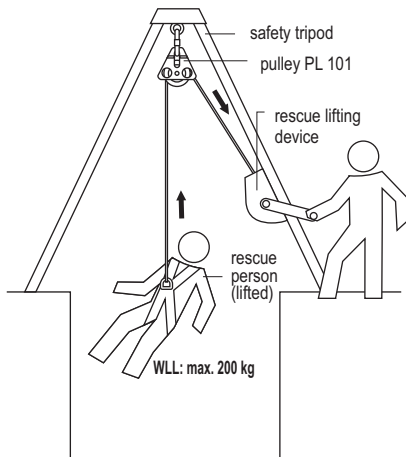
USE OF PULLEY PL101 FOR LIFTING OF LOADS

- Pulley PL 101 is used for lifting and lowering of loads with a weight of max. 1000 kg.
- Do not lift loads above an area where people are present.
- Before each use of the pulley, make sure to carry out a pre-use check to ensure that it is in a serviceable condition and operates correctly.
- Put the rope through pulley roller. Make sure that the rope is properly adjusted to the recess over the roller surface. Use ropes with a diameter from 6 mm to 12 mm and a strength of at least twice the weight of the lifted load.
- Walls of the pulley should be connected with a snap hook and attach to a structural anchor point. Strength of the snap hook and the structural anchor point must be at least twice the weight of the lifted load.
- Do not let the rope when lifting or lowering the load. The pulley is not fitted with any braking gear.
- Make sure to check durability of connections between the pulley and the structural anchor point and the load and the rope on which it is lifted to avoid any accidental disconnection of either element.



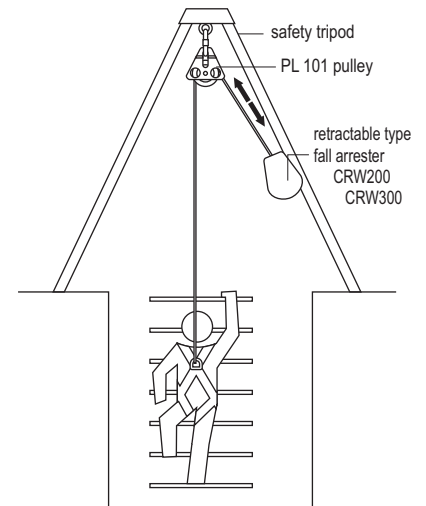
USE OF PULLEY PL101 AS ELEMENT OF RESCUE LIFTING SYSTEM

- Max. load of pulley PL101 as an element of a rescue lifting system is 200 kg.
- Pulley PL101 can be used as a part of a rescue lifting system compliant with EN 1496 provided it has been tested as an integral element of such system, e.g. in a safety tripod fitted with a rescue lifting device.
- Use of pulley PL101 as a part of a rescue lifting system must be compliant with respective instruction manuals of all components of such system.
- Before each use of the pulley as part of a rescue lifting system, make sure to carry out a pre-use check to ensure that it is in a serviceable condition and operates correctly. The inspection should be carried out by direct user of the device.



USE OF PULLEY PL101 WITH CRW200 AND CRW300 FALL ARRESTERS

The PL101 pulley is approved for use as a component of fall arrest system in accordance with EN 360 with CRW200 and CRW300 retractable type fall arresters attached to the PROTEKT safety tripod leg. Only original PROTEKT components may be used in accordance with the instructions for use of the individual components.



TIME OF USAGE

Maximum time of usage of correctly operating pulley is unlimited.

NOTE: Maximum time of usage of the pulley depends on intensity and environment of use. If the device is used in heavy conditions, being exposed to frequent contact with water, sharp edges, corrosive substances, extreme of temperatures, it may be necessary to withdraw the device after only one use.

MAINTENANCE

- When in use protect the pulley from mechanical, chemical and thermal damages.
- Pulley must be withdrawn from use immediately if any doubts arise in regard of its condition, or proper operation. The device must not be used until the manufacturer carries out a detailed inspection of the equipment and gives his written consent to use the equipment again.
- It is forbidden to carry out any repairs or modifications of the device by the user of the device.
- If soiled, clean the pulley using damp cloth.