

RUP507

BATTERY-POWERED CHAIN HOIST

Machine Directive 2006/42/EC	
---------------------------------	--



Figure 1 - Overview

TABLE OF CONTENTS:

1.	GENERAL DESCRIPTION	1
2.	LOAD LIMIT AND STRENGTH	1
3.	TRANSPORT AND WEIGHT	2
4.	MAINTENANCE AND STORAGE	2
5.	TIME OF USAGE	2
6.	PERIODIC INSPECTIONS	2
7.	TABLE NO. 1 - POSSIBLE INSTALLATION OF HOIST RUP507	2
8.	OVERALL DIMENSIONS	2
9.	MARKING	3
10.	INSTALLATION OF RUP507	3
11.	ESSENTIAL PRINCIPLES FOR USE OF PERSONAL FALL PROTECTION EQUIPMENT	Error! No bookmark defined.
12.	WARRANTY	Error! No bookmark defined.
13.	IDENTITY CARD	5

1. GENERAL DESCRIPTION

Battery-powered chain hoist RUP507 is equipped with working chain 4x12mm (class 80). Hoisting height is 6m. The device is designed for lifting loads. Battery life at full load is ~20...25 minutes. Battery charging time ~70 minutes.

The device RUP507 is formed by:

- a) general hoist designed for rewinding of working chain. The device is fitted with mounting module KSB100-352-003 allowing for a direct installation on trolley KSB100-350-000,
- b) detachable control with 2m long cord and plug to which the battery is connected,
- c) two batteries 18V 4.0Ah,
- d) wall charger for battery charging.
- e) Textile bag for working chain.

Hoist RUP507 can be mounted on various devices using universal brackets. Please refer to Table 1.

2. LOAD LIMIT AND STRENGTH

a) GENERAL INFORMATION

Minimum Breaking Strength (MBS): 15kN.

Working Load Limit (WLL): 500kg

Safety Factor (SF): 3:1.

The device can be loaded with work force along the profile to which it is fixed as shown in Figure 2.

The maximum load that could be transmitted in service from the device to the static construction – 6 kN (**The maximum load that could be transmitted in service from the device to the static construction).**)



3. TRANSPORT AND WEIGHT

Weight of complete device: 9kg.

The equipment must be transported in a package (e.g.: bag made of moisture-proof textile or foil bag or cases made of steel or plastic) to protect it against damage or moisture.

4. MAINTENANCE AND STORAGE

The device should be cleaned and disinfected without causing adverse effect on the materials which the device is made of. For textile materials (webbing, ropes) use agents suitable for delicate fabrics. Can be washed in hands or in a washing machine. Rinse thoroughly. Wash textile elements with water only. - If the equipment becomes wet, either when cleaning or in use, allow it to dry naturally, and keep it away from any sources of heat. In metallic products slightly lubricate some mechanical parts (springs, hinges, pawls, etc.) on a regular basis to improve their operation.

The device should be stored loosely packed in well-ventilated rooms, protected from direct light, UV degradation, dust, sharp edges, extreme temperatures and aggressive chemical substances.

5. TIME OF USAGE

Maximum time of usage of correctly operating devices is unlimited.

The device must be withdrawn from use immediately and destroyed if it has been used to arrest a fall or there are any doubts concerning its function.

NOTE: Maximum time of usage of the device depends on intensity and environment of use. If the device is used in heavy conditions, being exposed to frequent contact with water, sharp edges, corrosive substances, extreme temperatures, it may be necessary to withdraw the device after only one use.

6. PERIODIC INSPECTIONS

At least once a year, after every 12 months of use, it is necessary to carry out periodic detailed inspection of the device.

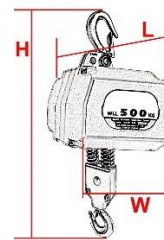
Periodic inspection can be carried out by a properly qualified and skilled person.

After 5 years of use, it is recommended that periodic inspections are carried out by the manufacturer of the equipment or an entity authorised by the manufacturer to carry out such inspections.

7. TABLE NO. 1 - POSSIBLE INSTALLATION OF HOIST RUP507

DEVICE	UNIVERSAL HOLDER
COMPACT GANTRY KSB / FSB / KSB-LE	KSB100-352-003 (standard hoist equipment)
	KSB100-350-000 (standard gantry equipment)

8. OVERALL DIMENSIONS



L [mm]	W [mm]	H [mm]
257	173	450

Figure 3 – Overall dimensions of device

9. MARKING

Marking:

- Name/ type of device.
- Device model designation.
- Reference number.
- Number/year/class of European standard.
- CE mark.
- Month and year of manufacture.
- Serial number of device.
- Attention: read instruction manual.
- Marking of manufacturer or distributor of the device.
- Working Load Limit.



Figure 4 - Identity label of device with “Next inspection” sticker

“Next inspection” sticker should be affixed near identity label and it is necessary to mark month and year of the next periodic inspection. Do not use the device after this date.

Note: Before the first use, mark the date of next inspection (date of first use + 12 months, e.g. first use 01.2013 – mark 01.2014). “Next inspection” sticker affixed near identity label.

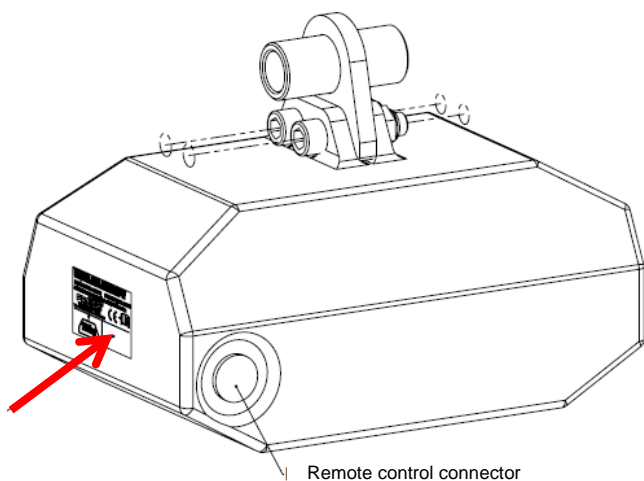


Figure 5 – Location of markings

10. INSTALLING RUP507

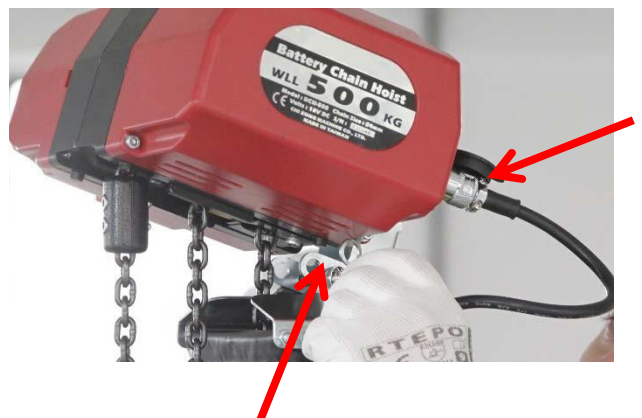
- Remove trolley KSB100-350-000 pin.



- Slide the hoist between trolley platens and again secure with pin (tighten!).



- Connect the control to the hoist and lift the cord on the eye using small snap hook. Tighten nut on the cable connection.



- d) Connect the battery to the control and check the battery charging status using LED indicator by pressing the small button on the control.



IN ORDER NOT TO DISCHARGE THE BATTERY COMPLETELY, DISCONNECT IT FROM THE CONTROL OR ACTIVATE SAFETY MUSHROOM ON THE CONTROL!



11. ESSENTIAL RULES OF USE AND GENERAL SAFETY RULES

The device RUP507 must be used in accordance with the instruction manual.

- The hoist is designed for lifting loads only. The device cannot be used for rescue operations or arresting a fall.
- The hoist is not intended to be used for material handling in areas where people could be present.
- The hoist can be operated only with the delivered control.
- If a load cannot be lifted, probably the hoist is overloaded or the battery is discharged.
- When in use protect the hoist from mechanical, chemical and thermal damages.
- If soiled, clean the hoist in accordance with maintenance instructions.
- It is forbidden to carry out any retrofitting or modification of the device without prior written consent given by the manufacturer.
- Any repairs should be performed only by manufacturer of the equipment or his authorized representative.
- It is forbidden to combine elements of the equipment where the function of any element interferes with the function of the other.
- There are many hazards that can affect operation of the device, thus it is necessary to keep any precautions and follow safety rules to ensure correct operation and use of the device. In particular, pay attention to: - loose hanging chain or its kinking or resting on sharp edges; - any damages such as cuts, tears, corrosion; - exposure to weather conditions; - pendulum falls; - extreme temperatures; - chemical reagents; - electrical conductivity, etc.
- A structure to which the hoist is mounted, must be stable. Static strength of a structural element must be at least twice the weight of the lifted load.
- Make sure to check durability of connections between the structure, hoist and the load to avoid any accidental disconnection of either element.

12. IDENTITY CARD

IDENTITY CARD FOR HOIST RUP507 (conforming with EN365)					
Reference number of device	RUP507	Serial number:		
Date of first use (installation)	Date of manufacture:		
Place of installation				
User name:				
Inspection and repair record					
No.	Date of inspection	Type of inspection / repair	Remarks	Date of next inspection	Name and signature of service technician
1					
2					
3					
4					
5					
6					
7					
8					
9					
10					