

- it is required to inspect the free space under the work-place on which individual fall preventive equipment is going to be used in order to eliminate the possibility of hitting any objects or lower planes while stopping a fall. The amount of free space under the work-place is specified in the operational instructions of the protective equipment to be used.
- while using the device, pay special attention to hazardous situations which may influence equipment operation and the safety of users, including in particular:
 - kinking and rubbing of lanyards on sharp edges;
 - pendulum falls;
 - current conductivity;
 - any damage such as cuts, wear, corrosion;
 - extreme temperature impact;
 - negative impact of weather conditions;
 - impact of aggressive substances, chemicals, solvents, acids.
- personal protective equipment must be transported in packaging which protects it against damage or water, for example in bags made of impregnated material or in steel or plastic containers or boxes.
- personal protective equipment must be cleaned and disinfected in order to avoid damaging the material (raw material) it is made of. Clean textile materials (slings, lanyards) with cleaning agents intended for soft materials. It can be cleaned manually or washed in machines. It must be carefully rinsed. Plastic elements can only be cleaned with water. Equipment which becomes wet during cleaning or while in operation must be carefully dried in natural conditions, away from heat sources. Metal parts and mechanisms (springs, hinges, catches etc.) can be periodically greased in order to improve their operation.
- personal protective equipment should be stored in loose packaging in well-ventilated dry rooms and protected against the impact of light, UV radiation, dust, sharp objects, extreme temperatures and caustic substances.

IT IS THE RESPONSIBILITY OF THE USER ORGANISATION TO PROVIDE THE IDENTITY CARD AND TO FILL IN THE DETAILS REQUIRED. THE IDENTITY CARD SHOULD BE FILLED IN BEFORE THE FIRST USE BY A COMPETENT PERSON, RESPONSIBLE IN THE USER ORGANIZATION FOR PROTECTIVE EQUIPMENT. ANY INFORMATION ABOUT THE EQUIPMENT LIKE PERIODIC INSPECTIONS, REPAIRS, REASONS OF EQUIPMENT'S WITHDRAWN FROM USE SHALL BE NOTED INTO THE IDENTITY CARD BY A COMPETENT PERSON. THE IDENTITY CARD SHOULD BE STORED DURING A WHOLE PERIOD OF EQUIPMENT UTILIZATION. DO NOT USE THE EQUIPMENT WITHOUT THE IDENTITY CARD. ALL RECORDS IN THE IDENTITY CARD CAN BE FILLED IN ONLY BY A COMPETENT PERSON.

IDENTITY CARD

MODEL AND TYPE OF EQUIPMENT	REF. NUMBER
SERIAL NUMBER	DATE OF MANUF.
USER NAME	
DATE OF PURCHASE	DATE OF PUTTING INTO OPERATION

PERIODIC EXAMINATION AND REPAIR HISTORY

	DATE	REASON FOR ENTRY PERIODIC EXAMINATION OR REPAIR	DEFECTS NOTED, REPAIRS CARRIED OUT AND OTHER RELEVANT INFORMATIONS	NAME AND SIGNATURE OF COMPETENT PERSON	PERIODIC EXAMINATION NEXT DUE DATE
1					
2					
3					
4					
5					
6					
7					
8					
9					
10					

Ed. 2 21-10-2020

Instruction manual



Read carefully the manual before use the equipment

CE 0082 EN 362:2004

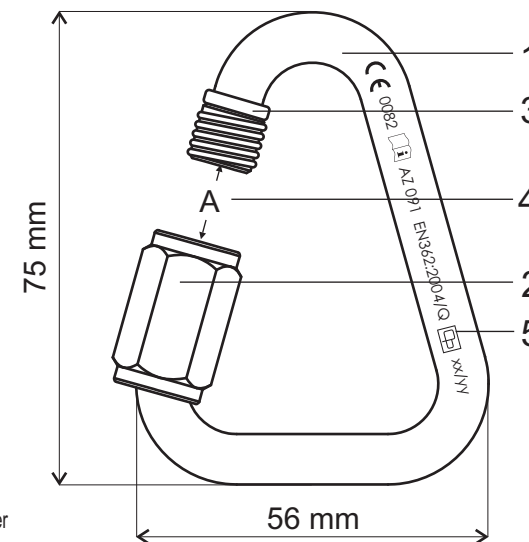
PROTEKT

AZ091 DELTA SCREWLINK CONNECTOR

The AZ091 delta screwlink connector connector is a component of personal protective equipment in fall arrest systems complying with EN 362 (class Q connector). The AZ091 screwlink connector is used to temporarily or permanently connect individual components of the fall arresters. Do not use the screwlink connector in the place, where frequent disconnection of the system components is required. The AZ091 screwlink connector is made from Ø8mm stainless steel rod. The AZ091 connector's opening ('A') is 8mm.

CONSTRUCTION OF THE LINK

1. Body - bearing structure.
2. Lock nut.
3. Protective ring.
4. 'A' Link's opening maximum space enabling the connection of the system components and correct closing and locking the screwlink connector.
5. Link's marking.



MARKING DESCRIPTION

CE 0082 — CE marking with identity number of the notified body controlling manufacturing of the equipment

— Read carefully the manual before use the equipment

AZ 091 — Catalog number

EN 362:2004/Q — European standard's number, year/class

— marking of distributor or producer

xx/yy — manufacturing series number ('xx' month, 'yy' year of manufacture)

Manufacturer:
PROTEKT - Starorudzka 9 - 93-403 Lodz - Poland
tel. +4842 6802083 - fax. +4842 6802093

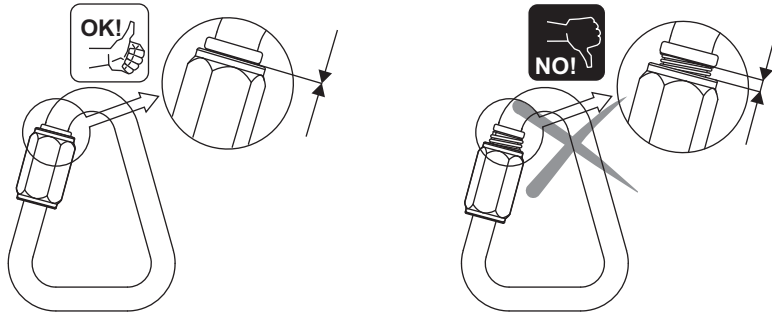
EU type declaration of conformity: www.protekt.pl

European certificate was done at:
CENTRAL INSTITUTE FOR LABOUR PROTECTION,
Czerniakowska 16, 00-701 Warszawa, Poland, no. 1437

Notified body for control production:
APAVE SU EUROPE SAS - CS 60193 - F13322
MARSEILLE CEDEX 16 - France, no. 0082

BASIC PRINCIPLES OF USING THE AZ091 SCREWLINK CONNECTOR

- Before each use carry out a thorough visual inspection of the device for mechanical, chemical and thermal damages. The user of the device must carry out visual inspection. If any damages to the device are discovered, remove the device from operation.
- Before each use of the fall arrester, which includes the AZ091 screw screwlink connector, check that all components are connected with each other in a correct way and they cooperate with each other without any disturbances and they comply with valid standards:
 - EN 361 - Safety harness;
 - EN 354, EN 355, EN 353-1, EN 353-2, EN 360- Connecting and shock absorbing subassemblies;
 - EN 362 - Connectors;
 - EN 341, EN 1496 - rescue devices;
 - EN 358 - Work positioning systems.
 - EN795 - Anchorage devices.
- Always check the length of the AZ091 screwlink connector in the fall arrester, as it influences the distance of arresting a fall.
- Check some elements connected to the screwlink connector, which can affect the decrease in its strength, e.g. connecting the screwlink connector with wide belts, as well as attaching the screwlink connector to structural elements with cross-section greater than 12mm.
- The load on the screwlink connector must be applied along its main axis.
- The screwlink connector AZ091 can be used within the range of temperatures between -45°C and 50°C .
- Avoid a contact of the screwlink connector with a component of the structure or any object which can damage or deform the connector.
- The screwlink connector must be attached only to attachment elements designed for this purpose.
- AZ091 screwlink connector should only be used where the user does not have to attach and remove the screwlink connector frequently, i.e many times during a working day.
- AZ091 screwlink connector should only be used where connections are infrequent.
- Always completely close (tighten) the screwlink connector's lock nut. The locking nut is correctly closed, if the entire thread is covered, and the nut contacts the lock ring. See the drawings below.



MAXIMUM LIFETIME - Correctly working connector lifetime is unlimited. The maximum lifetime depends on the intensity of usage and the environment of usage. Using the connector in rough environment, marine environment, contact with sharp edges, exposure to extreme temperatures or aggressive substances, etc. can lead to the withdrawal from use even after one use.

PERIODICAL INSPECTION - At least once a year (after every 12 months of use), the connector shall be subject to periodical inspection. The periodical inspection must only be carried out by a suitably qualified, competent person, who has the knowledge and training required for personal protective equipment periodic inspections. Depending upon the type and environment of work, inspections may be needed to be carried out more frequently than once every 12 months. Every periodical inspection must be recorded in the Identity Card of the equipment.

WITHDRAWAL FROM USE - The device must be withdrawn from use immediately and destroyed when it has been used to arrest a fall or it fails to pass inspection or there are any doubt as to its reliability.

FUNDAMENTAL RULES FOR USING PERSONAL PROTECTIVE EQUIPMENT

- personal protective equipment should be used only by people trained in operating it.
- personal protective equipment cannot be used by people whose health condition may influence their safety during everyday use or emergency procedures.
- there must be a rescue operation plan which can be used whenever needed.
- it is forbidden to perform any modifications of the equipment without the written consent of the manufacturer.
- any repairs of the equipment may be performed only by its manufacturer or an authorised representative of the manufacturer.
- personal protective equipment must be used in conformity with its operational purpose.
- personal protective equipment is considered personal equipment and should be used by a single person only.
- make sure that all elements of the equipment that constitute the fall prevention system are properly mated prior to use. Perform periodical inspections of connections and mating of equipment in order to avoid unintentional loosening or disconnecting.
- it is forbidden to use combinations of items of protective equipment in which the safe function of any one item is affected by or interferes with the safe function of another.
- all parts of the personal protective equipment must be in accordance with appropriate regulations and equipment operational instructions.
- carry out a careful inspection of personal protective equipment prior to each separate use in order to check its condition and operation. Inspections must be performed by the user.
- such inspections should check all equipment elements with particular attention paid to: any defects, excessive wear, corrosion, points of tearing, cuts and improper operation. Particular attention must also be paid to each individual device:
 - full body harnesses and work positioning belts: buckles, adjustment elements, fastening points (snap hooks), slings, seams, loops;
 - energy absorbers: hitch loops, slings, seams, body and connectors;
 - lanyards and textile guides: lanyards, thimbles, connectors, adjustment elements, plaits;
 - lanyards and steel guides: lanyards, wires, clamps, loops, thimbles, connectors, adjustment elements;
 - retractable type fall arresters: lanyards or slings, correct operation of winding mechanism and locking mechanism, body, shock-absorber, connectors;
 - guided type fall arresters: device body and its correct movement along the guide, operation of locking mechanism, rollers, bolts and rivets, connectors, safety shock-absorber;
 - connectors (snap hooks): load-bearing body, riveting, main catch, operation of locking mechanism.
- personal protective equipment must be withdrawn from use and undergo a complete periodical inspection at least once a year (after 12 months of use). Periodical inspection must be carried out by a qualified person responsible for periodical inspections of safety equipment in a given place of work. Periodical inspections must be also carried out by the equipment manufacturer or an authorised representative of the manufacturer. Such an inspection should check all equipment elements with particular attention paid to: any defects, excessive wear, corrosion, points of tearing, cuts and improper operation (see the previous point).
- If protective equipment has a complex structure, for example retractable type fall arresters, periodical inspections should be carried out only by the equipment manufacturer or its authorised representative. The date of the subsequent inspection shall be specified after the periodical inspection has been completed.
- regular periodical inspections are essential in terms of equipment condition and safety of users only fully operational equipment is able to provide safety.
- make sure that all labels on protective equipment (elements of this equipment) are legible while performing a periodical inspection.
- all information concerning protective equipment (name, serial number, date of purchase and date of first operation, user name, information concerning repairs and inspections and withdrawal from use) must be included in the Operation Sheet for a particular device. The factory where equipment is stored is responsible for making entries in the Operation Sheet. The Sheet should be completed by the person responsible for safety equipment in a given place of work. Equipment without a properly completed Operation Sheet cannot be used.
- if equipment is exported to other countries, the provider must equip it with operational and maintenance instructions as well as information concerning periodical inspections and repairs in the language of the country where the equipment is going to be used.
- personal protective equipment must be immediately withdrawn from use if there are any doubts concerning its condition or operational correctness. Equipment can be reused after it has undergone a complete inspection carried out by the manufacturer and written authorisation for reuse has been issued.
- if personal protective equipment was used to prevent a fall, it must be withdrawn from use and physically destroyed.
- a full body harness in accordance with EN 361 is the only accepted device for keeping a body in the personal protective equipment against falls from a height.
- fall arresting systems can be attach only to full body harness attachment points (buckles, loops) marked with the capital letter "A".
- anchoring points (equipment) of personal protective equipment against falls from a height should have stable structure and their position should reduce the possibility of falling and minimise the range of a free fall. The equipment anchoring point should be located above the users work position. The shape and structure of the equipment anchoring point must provide a durable connection and prevent any random disconnection. It is recommended to use certified and marked equipment anchoring points in accordance with EN 795. Minimal static resistance of the anchoring point must be 12 kN.